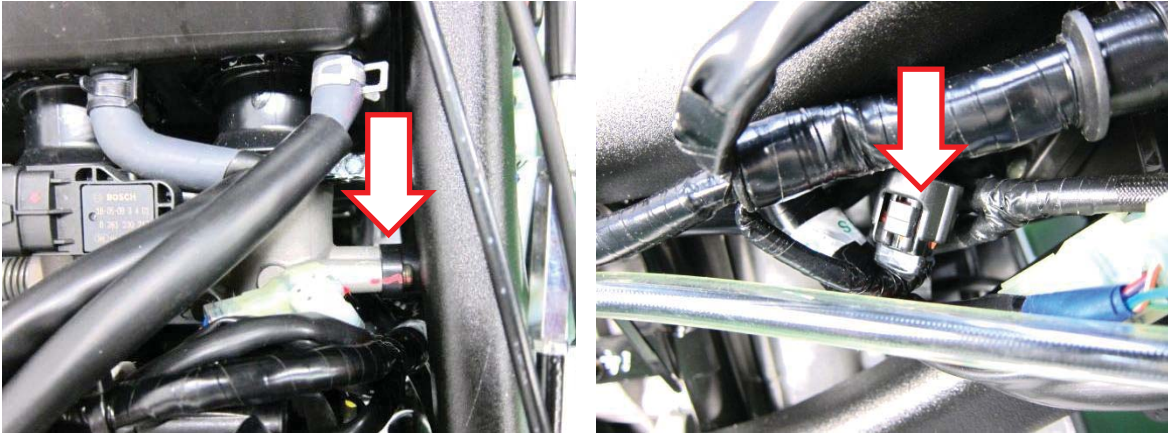


TPS Inspection

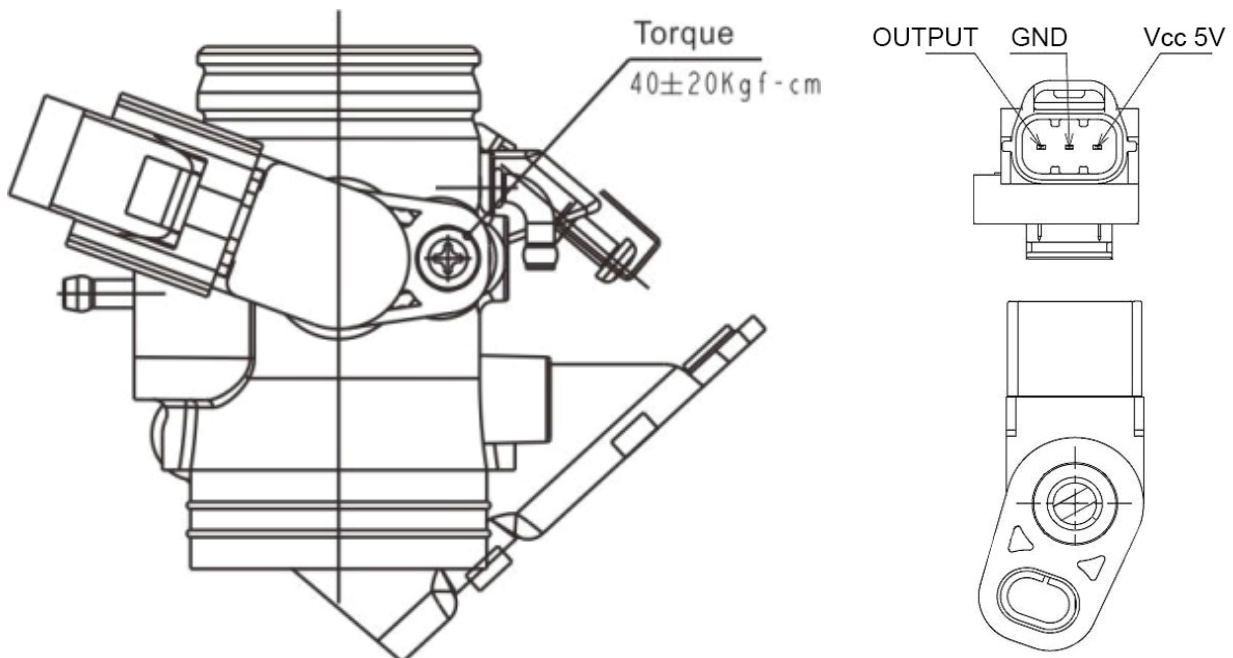
Unplug the TPS sensor connector.



Measure if the ECU voltage outputs to TPS between the following terminals of the TPS connector.

Terminal	Normal
Violet/Red (+) – Green/Pink (-)	5 V

Throttle Position Sensor (TPS) resistance (at 20°C/68°F)	3000 - 7000 Ω
--	---------------



When installation, apply oil onto a new O-ring. Install the TPS onto the throttle body, being careful not to damage the O-ring. Install and tighten the screw securely.