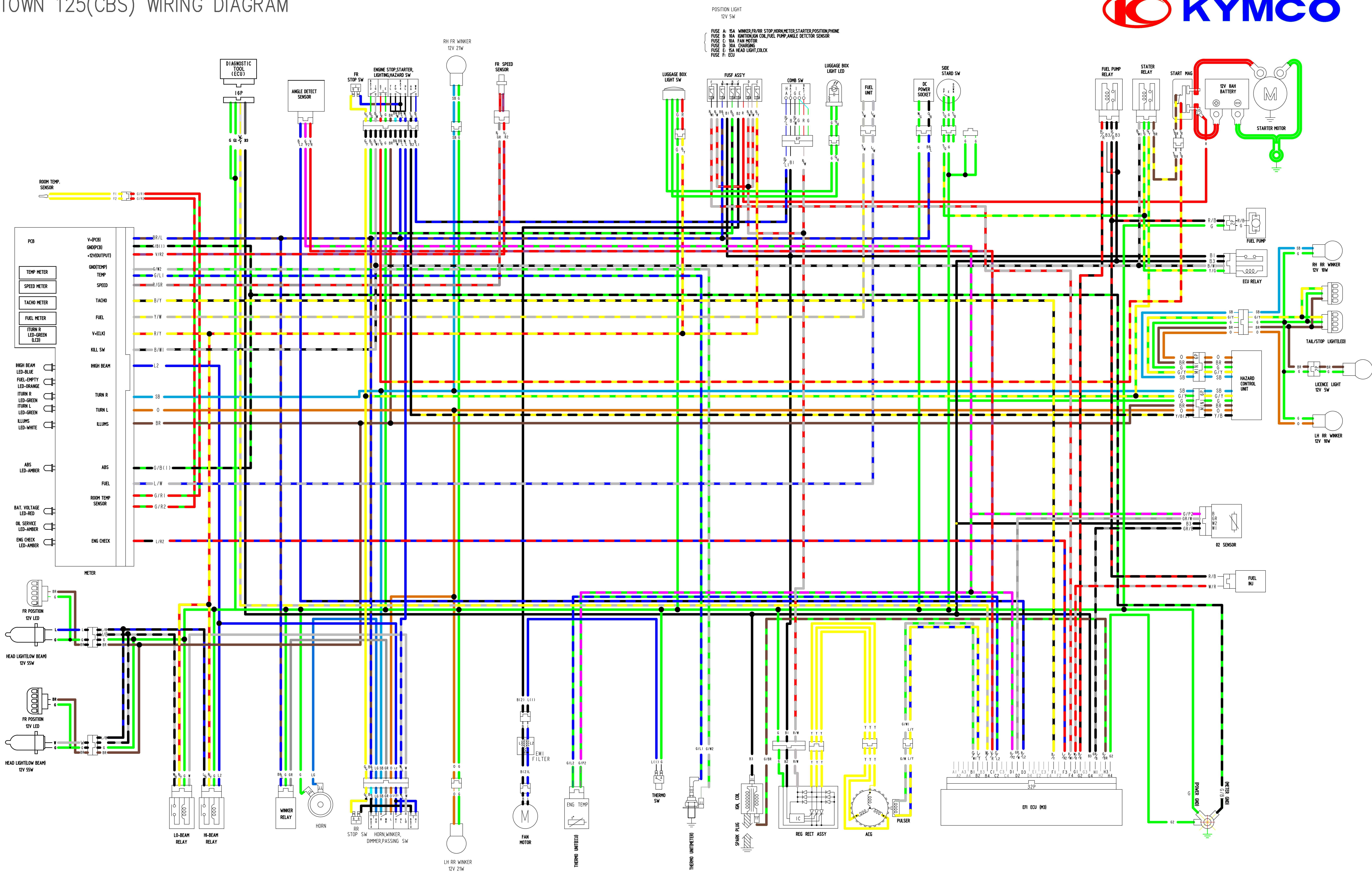


X-TOWN 125(CBS) WIRING DIAGRAM

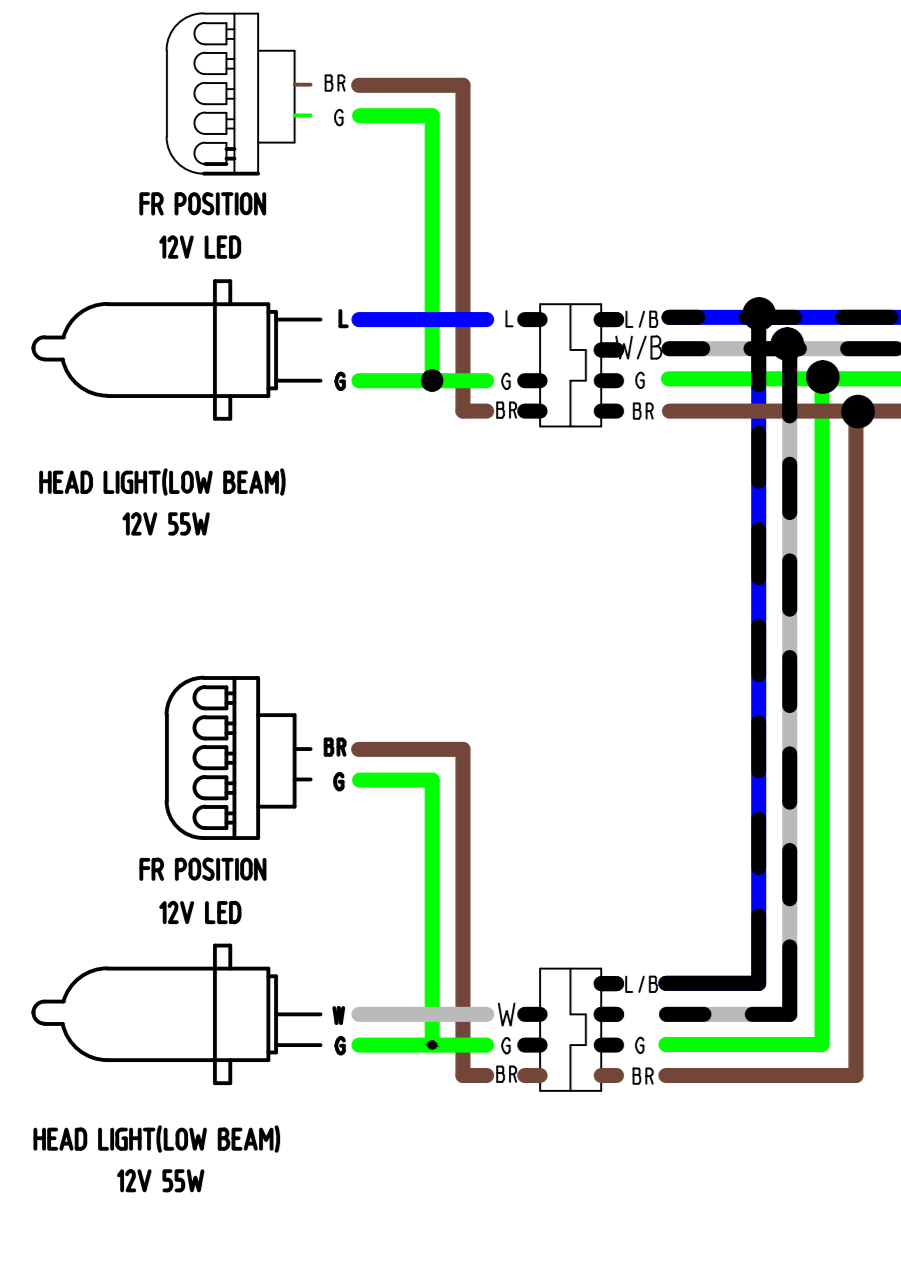


POSITION LIGHT
12V 5W

FUSE A: 15A WINKER/FR/RR STOP HORN METER STARTER POSITION PHONE
 FUSE B: 10A IGNITION IGN COIL FUEL PUMP ANGLE DETECTOR SENSOR
 FUSE C: 10A FAN MOTOR
 FUSE D: 30A CHARGING
 FUSE E: 15A HEAD LIGHT COIL
 FUSE F: ECU

PCB

TEMP METER	V-(PCB) GND(PCB) +12V(OUTPUT)
SPEED METER	GND(TEMP) TEMP
TACHO METER	SPEED
FUEL METER	TACHO
TURN R LED-GREEN (LCD)	FUEL
TURN L LED-GREEN (LCD)	V-ICLK3
ILLUMS LED-WHITE	KILL SW
ABS LED-AMBER	HIGH BEAM
BAT. VOLTAGE LED-RED	TURN R
OIL SERVICE LED-AMBER	TURN L
ENG CHECK LED-AMBER	ILLUMS
METER	ABS
	FUEL
	ROOM TEMP SENSOR
	ENG CHECK



PASSING SW		STARTER SW		ENGINE STOP SW		HORN SW		WINKER SW			DIMMER SW			COMB SW			LIGHTING SW					
BAT4	HI	E	ST	IG	BAT3	BAT4	HO	WR	R	L	HL	HI	LO	BAT2	IG	E	BAT1	HA	BAT3	PO	TL	HL
FREE		FREE		OFF		FREE		R			LO			LOCK				(N)				
PUSH		PUSH		RUN		PUSH		N			(N)			OFF				P				
COLOR	BR/L L	COLOR	G Y/R	COLOR	B/W B/G	COLOR	BR/L LG	L			HI			ON				(N)				
								GR	SB	O	COLOR	W/L L W					H					
														COLOR	BR/LBR/W BR W/L							